

Amplon RT Gen3 Series UPS

Single-phase, 1-3 kVA, 230 Vac

Standard Runtime Model

Safeguard your edge with a smart and economical power solution

Delta's Amplon RT series UPS is a robust online double-conversion UPS offering strong power protection with a convertible rack and tower configuration in 2U size. With its clean output power in pure sine wave, RT Gen3 can handle a wide range of utility problems, from blackout to harmonic distortion. Rest assured that your device is always fortified and safeguarded with RT Gen3!



High Availability

- True online double-conversion topology and zero transfer time to battery mode
- Operates at up to 50°C adapting to various environments
- Excellent overload capacity allows the overload condition to continue within the timeframe

Green with Low TCO

- Output power factor 0.9 provides more capacity to load
- Up to 90% online mode efficiency and 95% ECO mode efficiency contributes to significant energy cost savings
- Capable of working in harsh electrical environments with a wide input voltage range to minimize battery usage

Easy Management

- Convertible rack and tower configuration with rotatable LCD screen
- LCD display and intuitive interface offer effortless monitoring and configuration
- Remote Emergency Power Off (REPO) provides added safety by allowing UPS and connected devices to be remotely shut down during emergencies
- Intelligent management software connectivity via RS-232, mini slot or USB port for remote monitoring and setting



IT



Telecom



Industrial



Transportation



Financial



Government



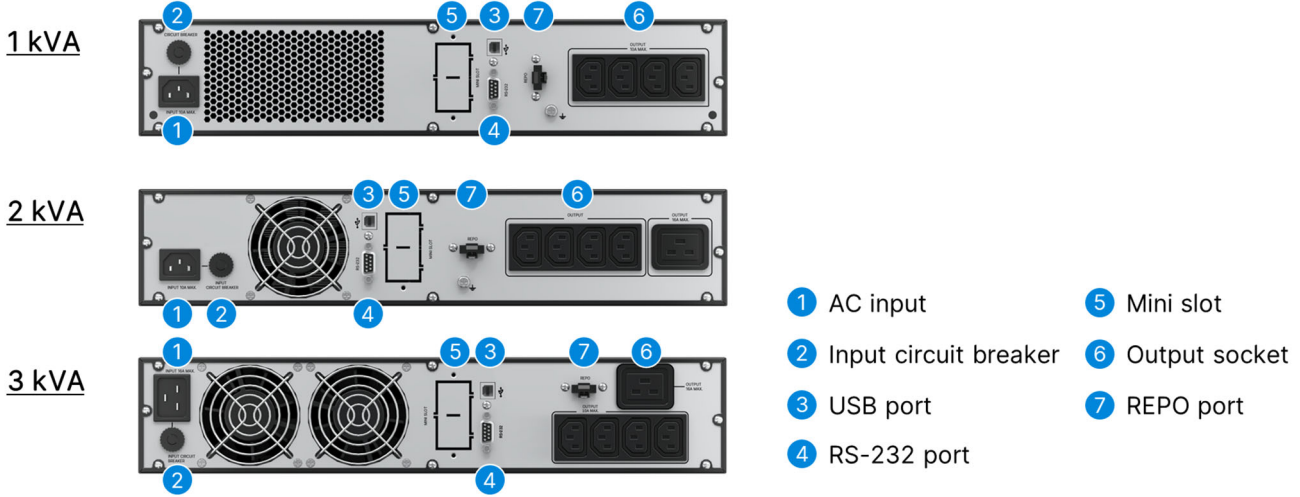
SME



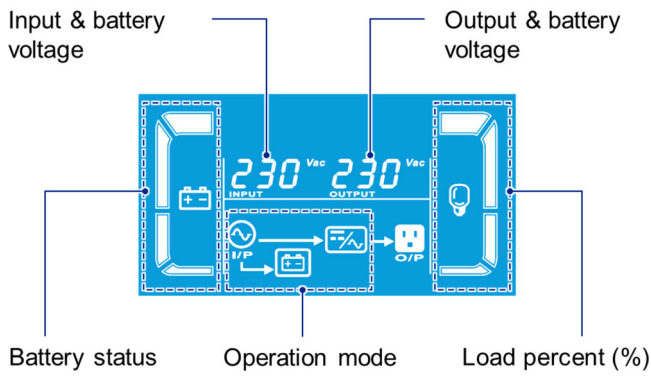
Retail



Rear Panel



LCD



Form Factor



Versatile rack/tower form factor with rotatable LCD screen.

Runtime Table

1 kVA

Load	90 W	180 W	270 W	360 W	450 W	540 W	630 W	720 W	810 W	900 W
Backup Time	57.5	26.9	16.8	11.9	9.1	7.3	6.1	3.5	3.5	3.1

2 kVA

Load	180 W	360 W	540 W	720 W	900 W	1080 W	1260 W	1440 W	1620 W	1800 W
Backup Time	61.1	28.3	17.7	12.5	9.5	7.7	6.5	3.5	3.5	3.3

3 kVA

Load	270 W	540 W	810 W	1080 W	1350 W	1620 W	1890 W	2160 W	2430 W	2700 W
Backup Time	67.1	29.4	18.1	12.5	10.3	8.2	6.9	3.5	3.5	3.5

Unit: min

(1) Runtime table is estimated based on operation at 25 °C with batteries fully charged.

Technical Specifications

Model	RT-1K	RT-2K	RT-3K
Topology	Online double-conversion		
Power Rating	1 kVA 0.9 kW	2 kVA 1.8 kW	3 kVA 2.7 kW
INPUT			
Nominal Voltage	208 ⁽¹⁾ /220/230/240 Vac, 1P2W+PE		
Voltage Range	180-280 Vac (100% load); 120-300 Vac (50-100% load)		
Frequency Range	40-70 Hz		
Power Factor	≥ 0.99 (100% load)		
Connection	IEC C14		IEC C20
OUTPUT			
Nominal Voltage	208 ⁽¹⁾ /220/230/240 Vac, 1P2W+PE		
Voltage Regulation	±1%		
Frequency	50/60 ± 3 Hz		
Total Harmonic Distortion (THDv)	< 3 % (linear load)		
Power Factor	0.9		
Connection	IEC C13 x4	IEC C13 x4 + IEC C19 x1	
Overload Capability	< 105-110%: 10 mins; 110-130%: 30 secs; 130-150%: 3 secs		
Current Crest Ratio	3:1		
EFFICIENCY			
Online Mode	88%		90%
ECO Mode	93%	94%	95%
BATTERY			
Battery Type	VRLA, inbuilt battery		
Nominal Voltage	24 Vdc	48 Vdc	72 Vdc
Quantity	2 pcs	4 pcs	6 pcs
Runtime	100% load 70% load	3.1 mins 6.1 mins	3.3 mins 6.5 mins
Charging Time	4 hours to 90%		
Charge Current	1 A		
COMMUNICATION INTERFACE			
Display	LCD display with LED indicators		
Port	USB, RS-232, REPO, Mini slot (option for mini SNMP, mini Modbus and mini relay I/O card)		
PHYSICAL			
Dimensions (W x D x H)	438 x 310 x 86 mm	438 x 410 x 86 mm	438 x 630 x 86 mm
Net Weight	10.6 kg	17.9 kg	26.6 kg
Packing Dimensions (W x D x H)	600 x 500 x 240 mm	565 x 700 x 240 mm	600 x 760 x 240 mm
Packing Weight	13.9 kg	22 kg	31.5 kg
ENVIRONMENT			
Operating Temperature	0 to 50°C (40 to 50°C de-rating to 70% load)		
Humidity	10-90% (non-condensing)		
Audible Noise	≤ 50 dBA		
Altitude	0-3000 m (derating 1%/100 m from 2000-3000 m)		
Storage Temperature	-20 to 50°C		
Ingress Protection	IP20		
CONFORMANCE			
Safety	CE, KC		
EMC	IEC 62040-2		
Sustainability	RoHS, REACH		

(1) De-rating to 70% load

All specifications are subject to change without prior notice.

Management Solution

UPSentry

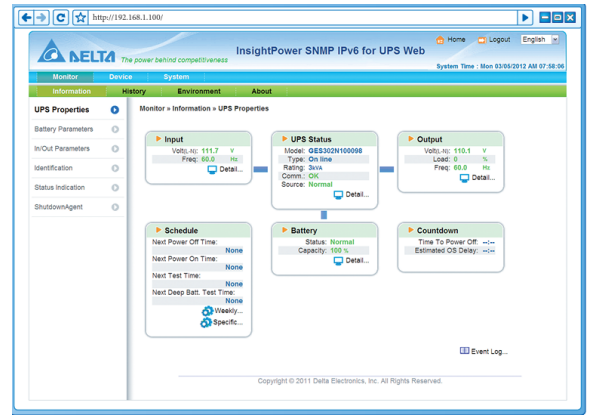
- Supports RS-232 & USB communication
- Schedules shutdown, restart and battery test
- Event tracking

ShutdownAgent

- Provides a graceful unattended shutdown of multiple loads in a network

SNMP IPv6 (optional)

- Remote UPS management from any workstation through internet or intranet
- UPS and system function configuration from any client (password protected)
- Event logs and data tracking



What's in the Box

Standard Accessories

RT Gen3 UPS	User manual
USB cable (1.5 m)	AC input cable with Schuko plug (1.5 m)
Ear kit and tower stand	ShutdownAgent software
UPSentry software	



More Product Information

Optional Accessories

UPS Management Accessories

Mini SNMP IPv6 (Part number: SCMS100035)	Manages UPS and system functions securely and adjusts parameters through SNMP management stations or internet browsers using HTTP forms.
Mini Relay I/O Card (Part number: 3915101864-S)	Offers 6 relay output contacts to monitor status and 2 input contacts for simple shutdown and battery testing in UPS management.
Mini Modbus Card (Part number: 3915101865-S)	Supports Modbus communication with a PC via RS-485 and RS-232 interfaces, allowing for flexible and simultaneous use.

Installation

Rail Kit (Part number: 3915100011)	Mount UPS and External Battery Cabinet within a 19" rack.
---------------------------------------	---



Delta Data Center



Delta ICT LinkedIn



Delta ICT YouTube

