

Amplon RT Gen3 Series UPS

Single-phase, 1-3 kVA, 230 Vac

Extended Runtime Model

Safeguard your edge with a smart and economical power solution

Delta's Amplon RT series UPS is a robust online double-conversion UPS offering strong power protection with a convertible rack and tower configuration in 2U size. With its clean output power in pure sine wave, RT Gen3 can handle a wide range of utility problems, from blackout to harmonic distortion. Rest assured that your device is always fortified and safeguarded with RT Gen3!



High Availability

- True online double-conversion topology and zero transfer time to battery mode
- Operates at up to 50°C adapting to various environments
- Excellent overload capacity allows the overload condition to continue within the timeframe

Green with Low TCO

- Output power factor 0.9 provides more capacity to load
- Up to 90% online mode efficiency and 95% ECO mode efficiency contributes to significant energy cost savings
- Capable of working in harsh electrical environments with a wide input voltage range to minimize battery usage

Easy Management

- Convertible rack and tower configuration with rotatable LCD screen
- LCD display and intuitive interface offer effortless monitoring and configuration
- Remote Emergency Power Off (REPO) provides added safety by allowing UPS and connected devices to be remotely shut down during emergencies
- Intelligent management software connectivity via RS-232, mini slot or USB port for remote monitoring and setting



IT



Telecom



Industrial



Transportation



Financial



Government



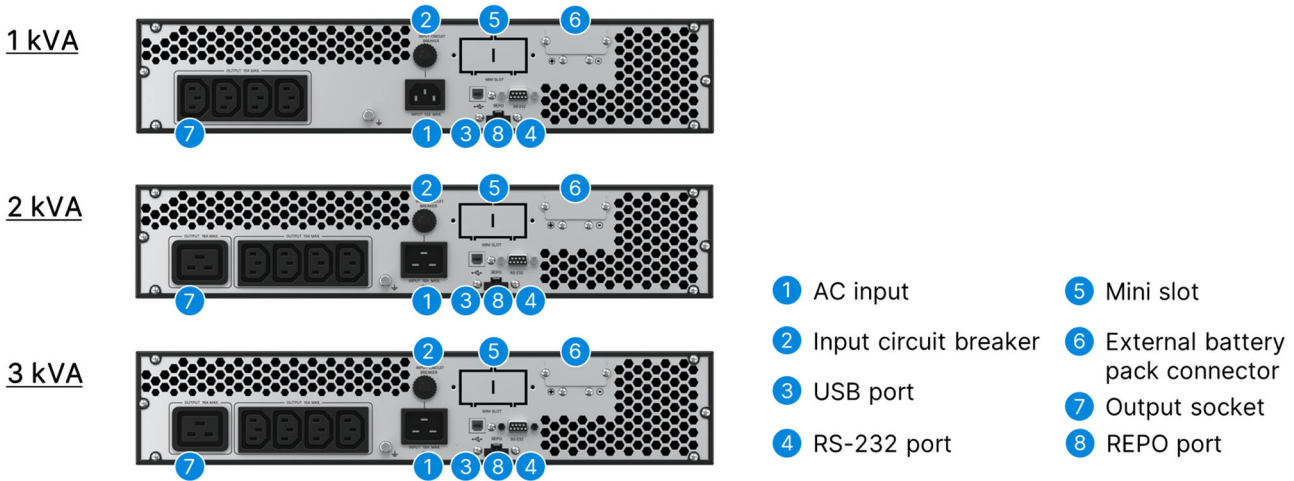
SME



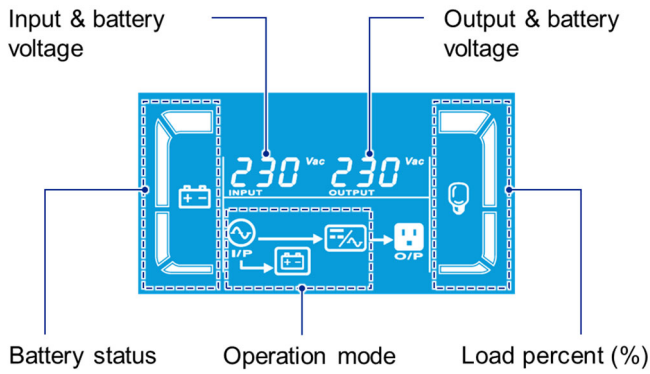
Retail



Rear Panel



LCD



Form Factor



Versatile rack/tower form factor with rotatable LCD screen.

Runtime Table

1 kVA

| | 90 W | 180 W | 270 W | 360 W | 450 W | 540 W | 630 W | 720 W | 810 W | 900 W |
|----------|-------|-------|-------|-------|-------|-------|-------|-------|-------|-------|
| UPS+1EBC | 87.4 | 38.2 | 22.3 | 15.4 | 12.0 | 10.0 | 8.8 | 7.7 | 6.6 | 5.3 |
| UPS+2EBC | 201.9 | 96.7 | 59.2 | 40.6 | 29.9 | 23.2 | 18.8 | 15.8 | 13.7 | 12.2 |
| UPS+3EBC | 318.3 | 158.5 | 100.2 | 70.5 | 52.9 | 41.4 | 33.5 | 27.8 | 23.6 | 20.4 |
| UPS+4EBC | 435.3 | 221.2 | 142.5 | 102.0 | 77.6 | 61.5 | 50.2 | 41.8 | 35.5 | 30.7 |

2 kVA

| | 180 W | 360 W | 540 W | 720 W | 900 W | 1080 W | 1260 W | 1440 W | 1620 W | 1800 W |
|----------|-------|-------|-------|-------|-------|--------|--------|--------|--------|--------|
| UPS+1EBC | 90.8 | 39.8 | 23.3 | 16.0 | 12.4 | 10.4 | 9.1 | 8.0 | 6.9 | 5.7 |
| UPS+2EBC | 209.3 | 100.6 | 61.7 | 42.3 | 31.2 | 24.3 | 19.7 | 16.5 | 14.3 | 12.7 |
| UPS+3EBC | 329.7 | 164.6 | 104.3 | 73.5 | 55.2 | 43.2 | 35.0 | 29.0 | 24.6 | 21.3 |
| UPS+4EBC | 450.7 | 229.6 | 148.1 | 106.2 | 80.9 | 64.1 | 52.3 | 43.7 | 37.1 | 32.0 |

3 kVA

| | 270 W | 540 W | 810 W | 1080 W | 1350 W | 1620 W | 1890 W | 2160 W | 2430 W | 2700 W |
|----------|-------|-------|-------|--------|--------|--------|--------|--------|--------|--------|
| UPS+1EBC | 58.8 | 24.9 | 15.1 | 11.2 | 9.2 | 7.6 | 5.8 | 3.3 | 2.5 | 2.0 |
| UPS+2EBC | 142.8 | 65.9 | 39.2 | 26.6 | 19.7 | 15.6 | 13.1 | 11.5 | 10.3 | 9.4 |
| UPS+3EBC | 229.5 | 111.3 | 68.6 | 47.3 | 34.9 | 27.1 | 22.0 | 18.4 | 15.8 | 14.0 |
| UPS+4EBC | 317.1 | 158.0 | 99.7 | 70.0 | 52.4 | 40.9 | 33.1 | 27.5 | 23.3 | 20.2 |

Unit: min

(1) Up to 4 EBCs can be paralleled.

(2) Runtime table is estimated based on operation at 25 °C with batteries fully charged.

Technical Specifications

| Model | RT-1K | RT-2K | RT-3K |
|----------------------------------|--|-------------------------|--------------------|
| Topology | Online double-conversion | | |
| Power Rating | 1 kVA 0.9 kW | 2 kVA 1.8 kW | 3 kVA 2.7 kW |
| INPUT | | | |
| Nominal Voltage | 208 ⁽¹⁾ /220/230/240 Vac, 1P2W+PE | | |
| Voltage Range | 180-280 Vac (100% load); 120-300 Vac (50-100% load) | | |
| Frequency Range | 40-70 Hz | | |
| Power Factor | ≥ 0.99 (100% load) | | |
| OUTPUT | | | |
| Nominal Voltage | 208 ⁽¹⁾ /220/230/240 Vac, 1P2W+PE | | |
| Voltage Regulation | ±1% | | |
| Frequency | 50/60 ± 3 Hz | | |
| Total Harmonic Distortion (THDv) | < 3% (linear load) | | |
| Power Factor | 0.9 | | |
| Connection | IEC C13 x4 | IEC C13 x4 + IEC C19 x1 | |
| Overload Capability | < 105-110%: 10 mins; 110-130%: 30 secs; 130-150%: 3 secs | | |
| Current Crest Ratio | 3:1 | | |
| EFFICIENCY | | | |
| Online Mode | 88% | | 90% |
| ECO Mode | 93% | 94% | 95% |
| BATTERY | | | |
| Battery Type | VRLA, External battery cabinet (Optional) | | |
| Nominal Voltage | 36 Vdc | 72 Vdc | |
| Parallel Configuration | Up to 4 EBCs | | |
| Charge Current | 1/ 2/ 4/ 6 A (configurable) | | |
| COMMUNICATION INTERFACE | | | |
| Display | LCD display with LED indicators | | |
| Port | USB, RS-232, REPO, mini slot (option for mini SNMP, mini Modbus and mini relay I/O card) | | |
| PHYSICAL | | | |
| Dimensions (W x D x H) | 438 x 310 x 86 mm | 438 x 410 x 86 mm | 438 x 460 x 86 mm |
| Net Weight | 5.7 kg | 8.4 kg | 8.9 kg |
| Packing Dimensions (W x D x H) | 600 x 500 x 240 mm | 565 x 700 x 240 mm | 545 x 760 x 240 mm |
| Packing Weight | 9.4 kg | 12.8 kg | 13.3 kg |
| ENVIRONMENT | | | |
| Operating Temperature | 0 to 50°C (40 to 50°C de-rating to 70% load) | | |
| Humidity | 10-90% (non-condensing) | | |
| Audible Noise | ≤ 50 dBA | | |
| Altitude | 0-3000 m (derating 1%/100 m from 2000-3000 m) | | |
| Storage Temperature | -20 to 50°C | | |
| Ingress Protection | IP20 | | |
| CONFORMANCE | | | |
| Safety | CE, KC | | |
| EMC | IEC 62040-2 | | |
| Sustainability | RoHS, REACH | | |

(1) De-rating to 70% load

All specifications are subject to change without prior notice.

Management Solution

UPSentry

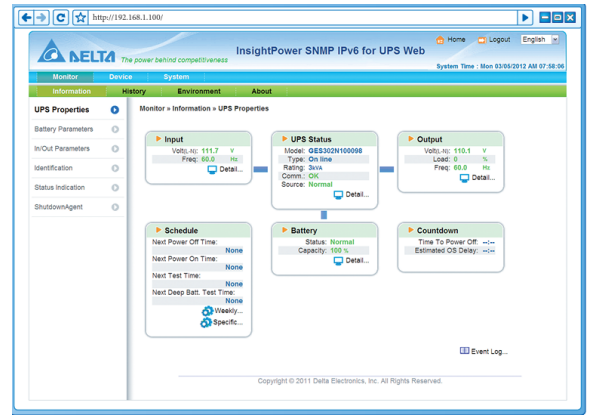
- Supports RS-232 & USB communication
- Schedules shutdown, restart and battery test
- Event tracking

Shutdown Agent

- Provides a graceful unattended shutdown of multiple loads in a network

SNMP IPv6 (optional)

- Remote UPS management from any workstation through internet or intranet
- UPS and system function configuration from any client (password protected)
- Event logs and data tracking



What's in the Box

Standard Accessories

| | |
|--------------------------------|---|
| RT Gen3 UPS | User manual |
| USB cable (1.5 m) | AC input cable with Schuko plug (1.5 m) |
| External battery cable (1.5 m) | Ear kit and tower stand |
| UPSentry software | ShutdownAgent software |



More Product Information

Optional Accessories

| External Battery Cabinet | Net Dimensions (W x D x H) | Net Weight | Packing Dimensions (W x D x H) | Packing Weight |
|---|----------------------------|------------|--------------------------------|----------------|
| RT-1K External Battery Cabinet (Part number: BBA032B9009035) | 438 x 410 x 86 mm | 13.8 kg | 600 x 500 x 240 mm | 15.8 kg |
| RT-2/3K External Battery Cabinet (Part number: BBA062B6009135) | 438 x 410 x 86 mm | 21.9 kg | 600 x 500 x 240 mm | 23.9 kg |

UPS Management Accessories

| | |
|--|--|
| Mini SNMP IPv6 (Part number: SCMS100035) | Manages UPS and system functions securely and adjusts parameters through SNMP management stations or internet browsers using HTTP forms. |
| Mini Relay I/O Card (Part number: 3915101864-S) | Offers 6 relay output contacts to monitor status and 2 input contacts for simple shutdown and battery testing in UPS management. |
| Mini MODBUS Card (Part number: 3915101865-S) | Supports MODBUS communication with a PC via RS-485 and RS-232 interfaces, allowing for flexible and simultaneous use. |

Installation

| | |
|---------------------------------------|---|
| Rail Kit (Part number: 3915100011) | Mount UPS and External Battery Cabinet within a 19" rack. |
|---------------------------------------|---|



Delta Data Center



Delta ICT LinkedIn



Delta ICT YouTube

